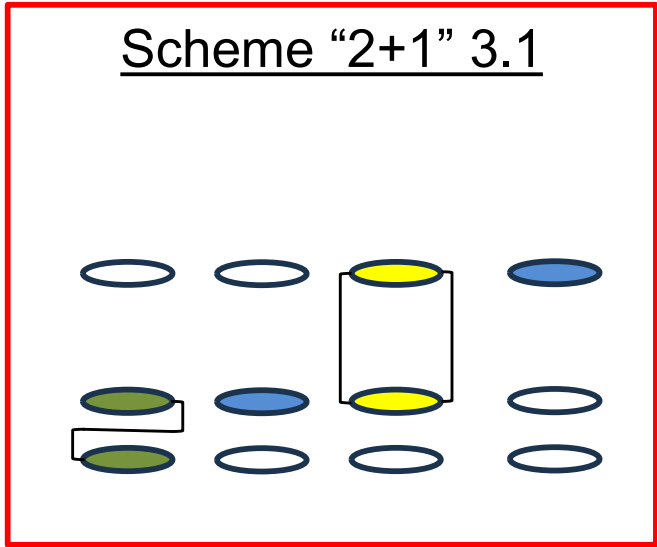
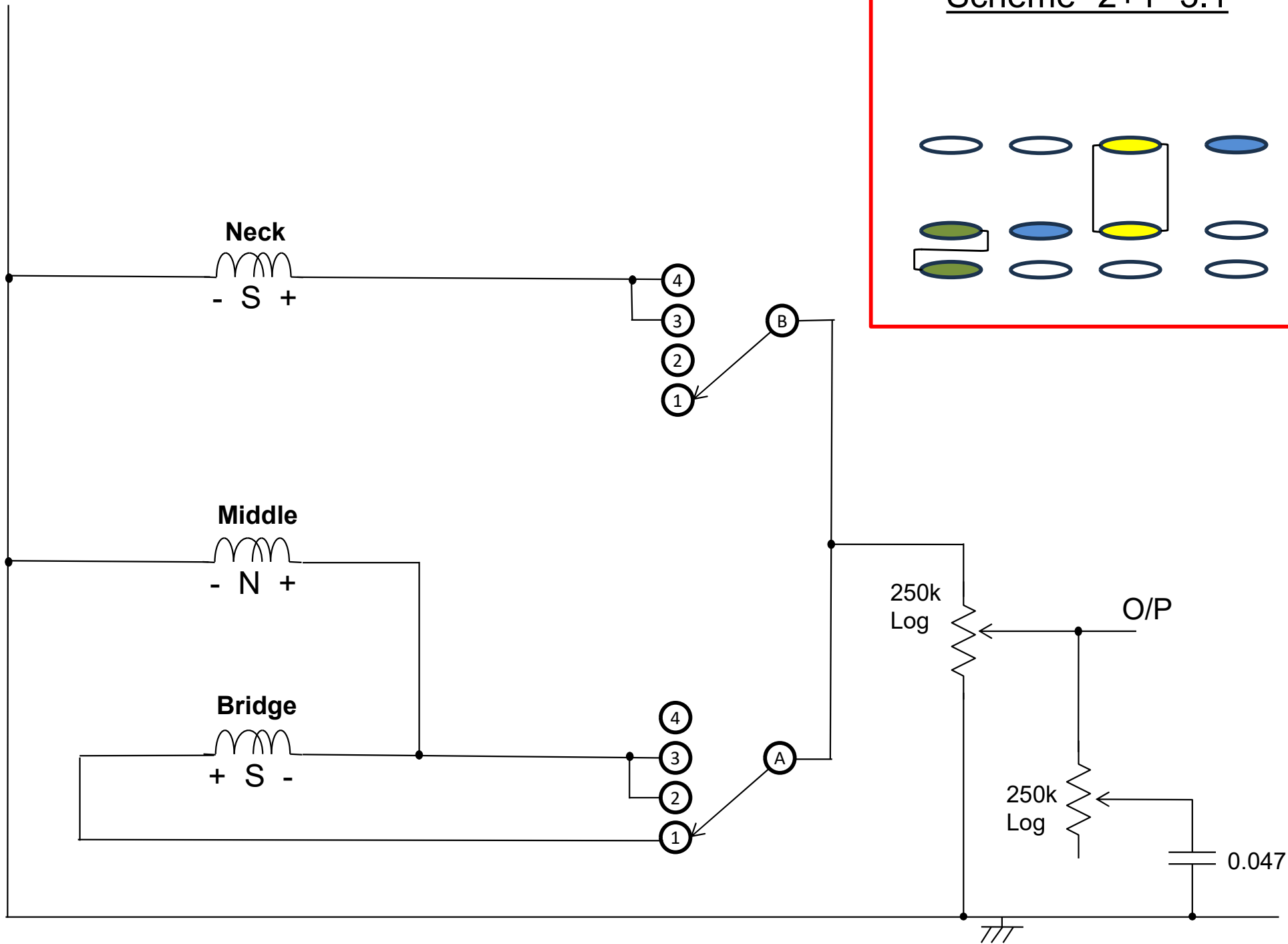
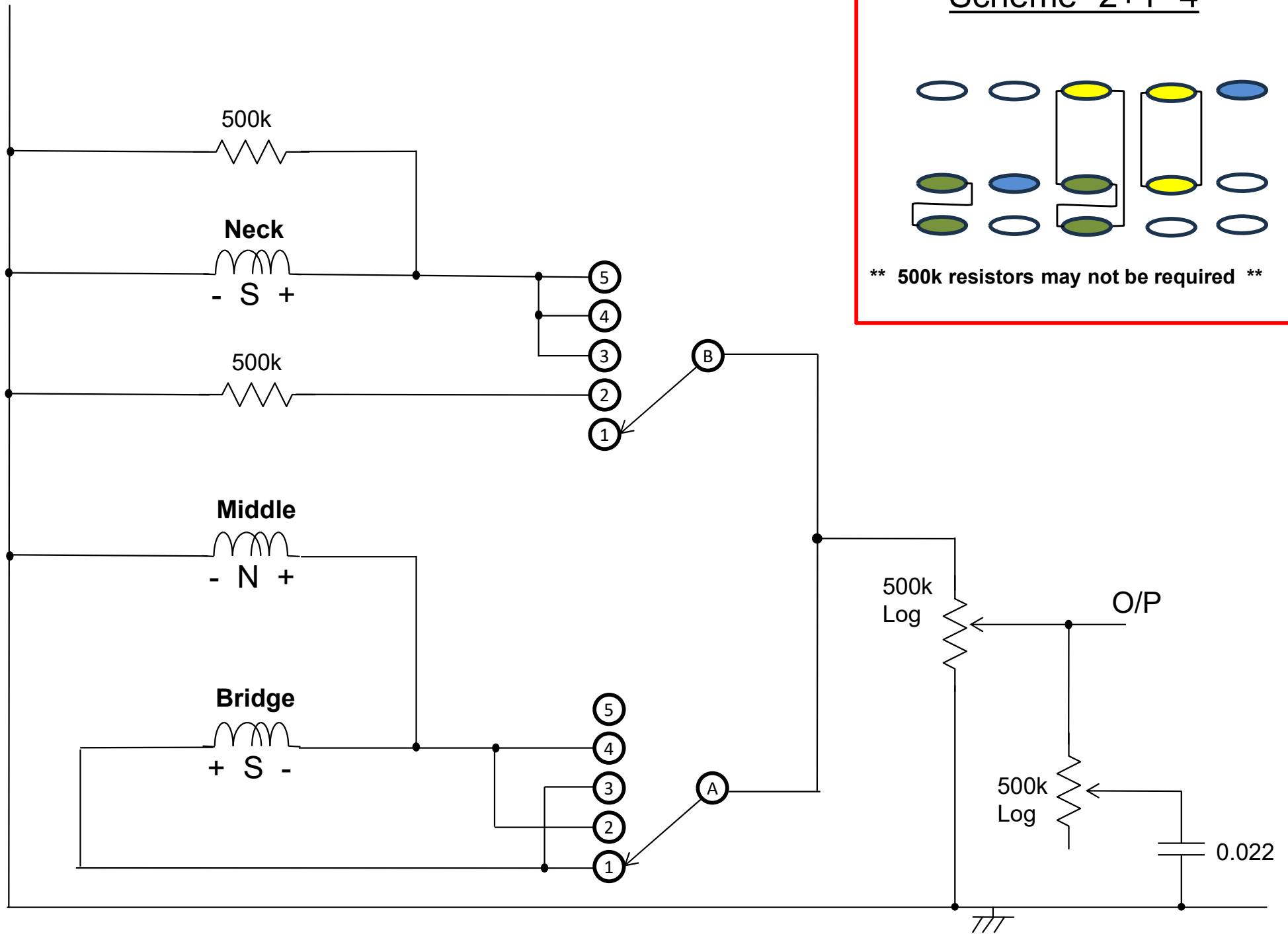


Scheme "2+1" 3

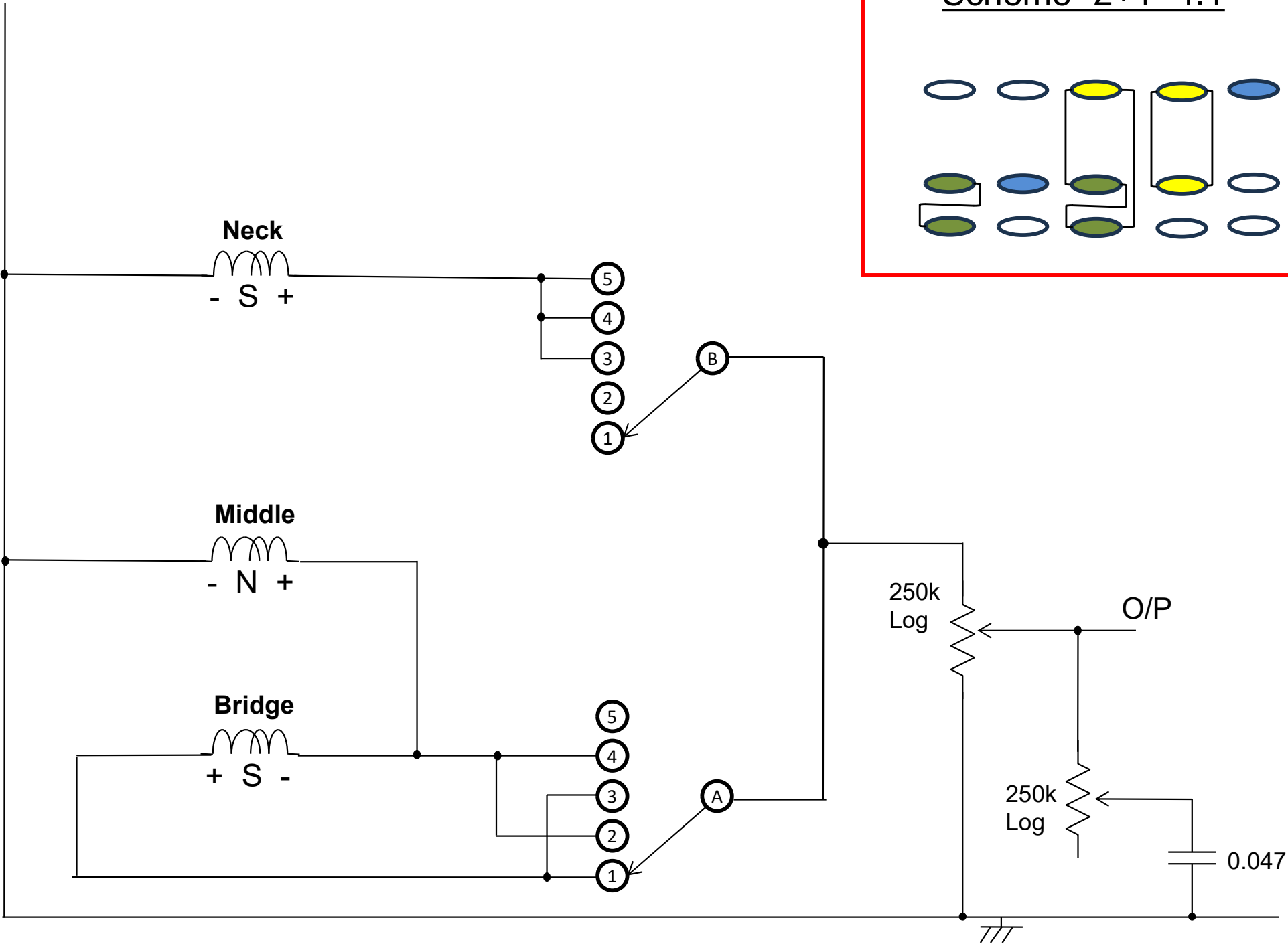
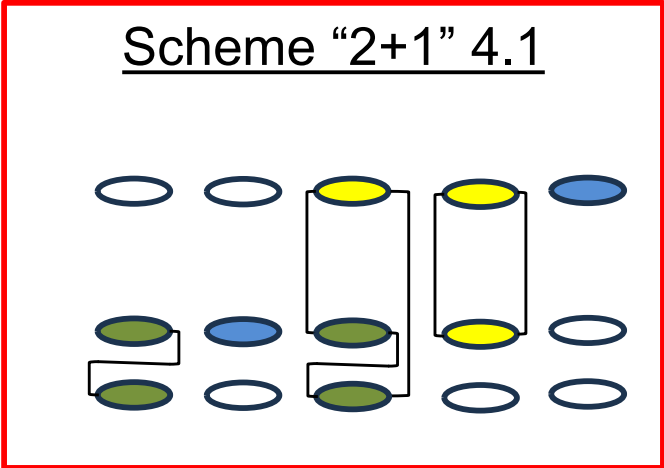
** 500k resistors may not be required
- just use 250k pots **

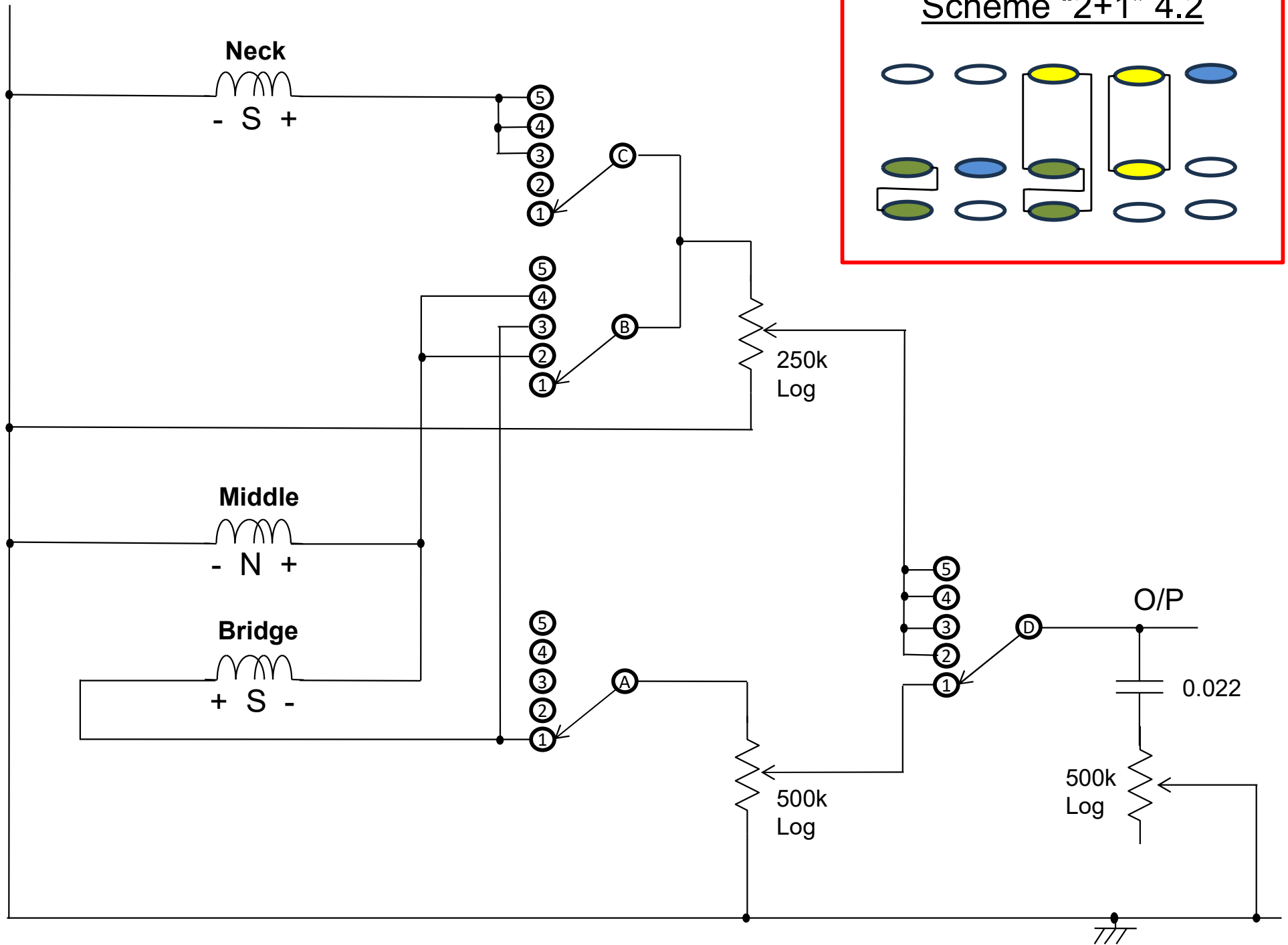




Scheme "2+1" 4

**** 500k resistors may not be required ****





Scheme "2+1" 4.2

