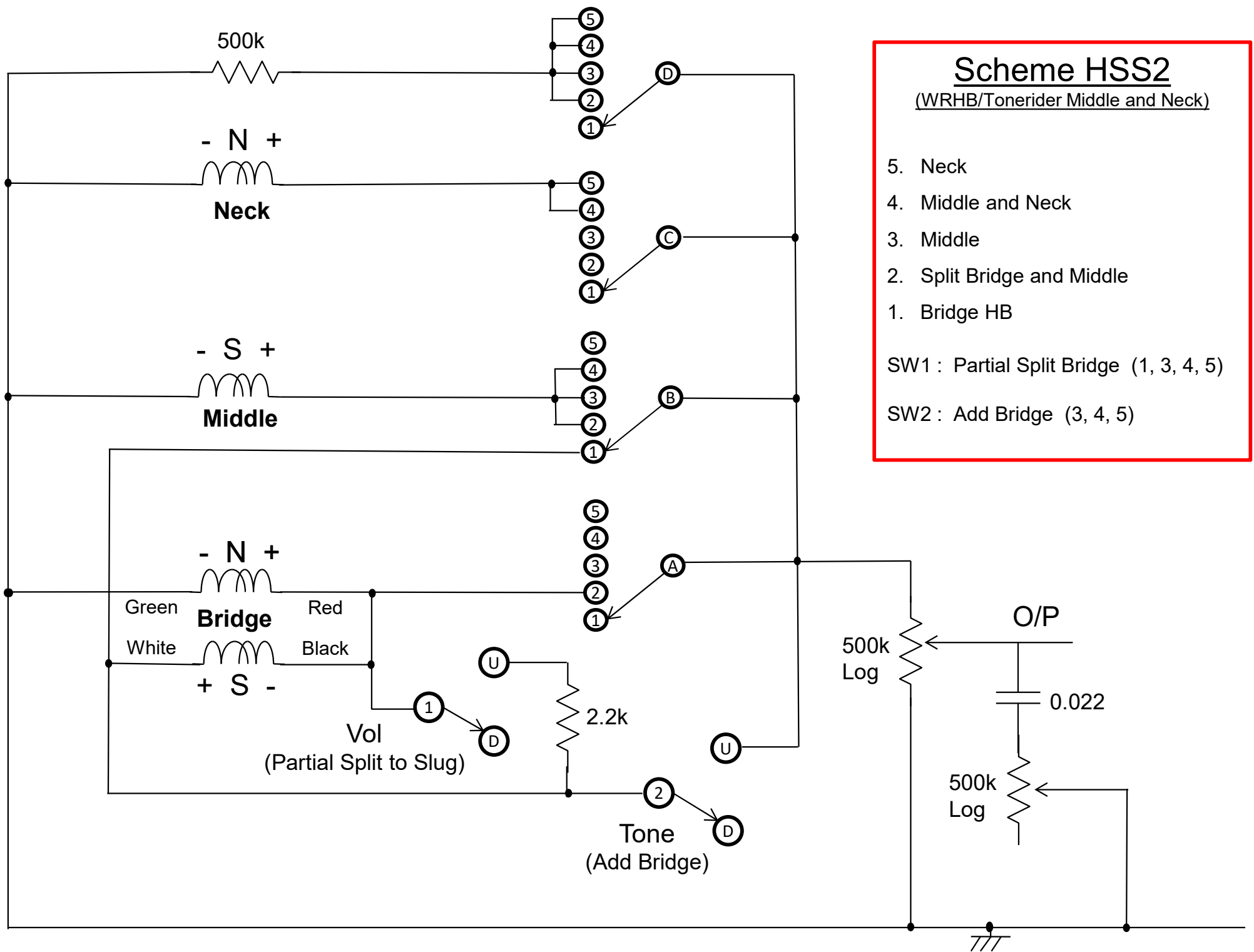


# Scheme HSS1

(WRHB/Tonerider Middle and Neck)

- 5. Neck
  - 4. Middle and Neck Parallel
  - 3. Middle and Neck Series
  - 2. Middle
  - 1. Bridge HB
- SW1 : Partial Split to Bridge Slug
- SW2 : Add Bridge



## Scheme HSS2

(WRHB/Tonerider Middle and Neck)

- 5. Neck
- 4. Middle and Neck
- 3. Middle
- 2. Split Bridge and Middle
- 1. Bridge HB

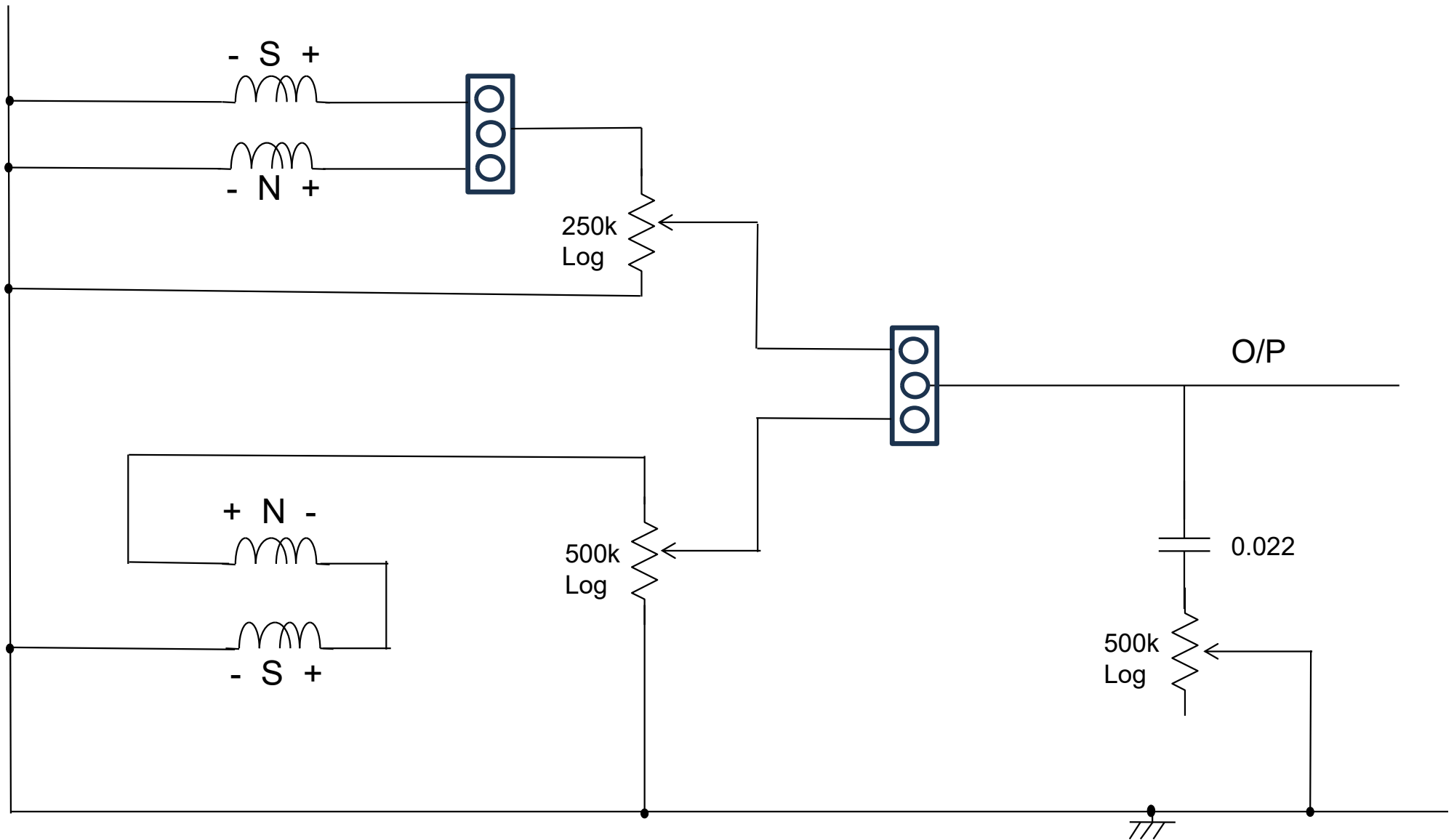
SW1 : Partial Split Bridge (1, 3, 4, 5)

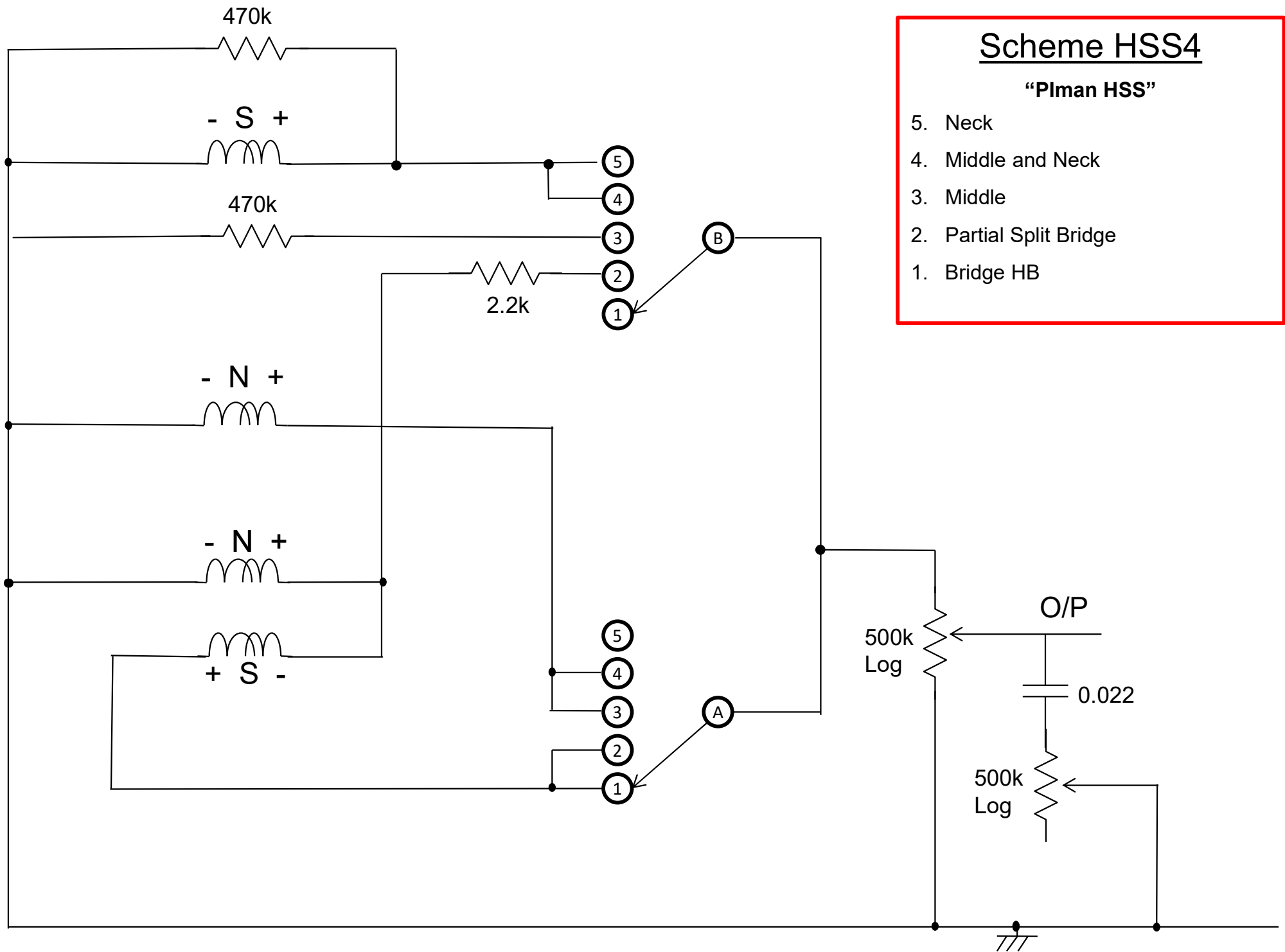
SW2 : Add Bridge (3, 4, 5)

# Scheme HSS3

Possible **Plman** scheme

Could add PRS Partial Split





## Scheme HSS4

"Plman HSS"

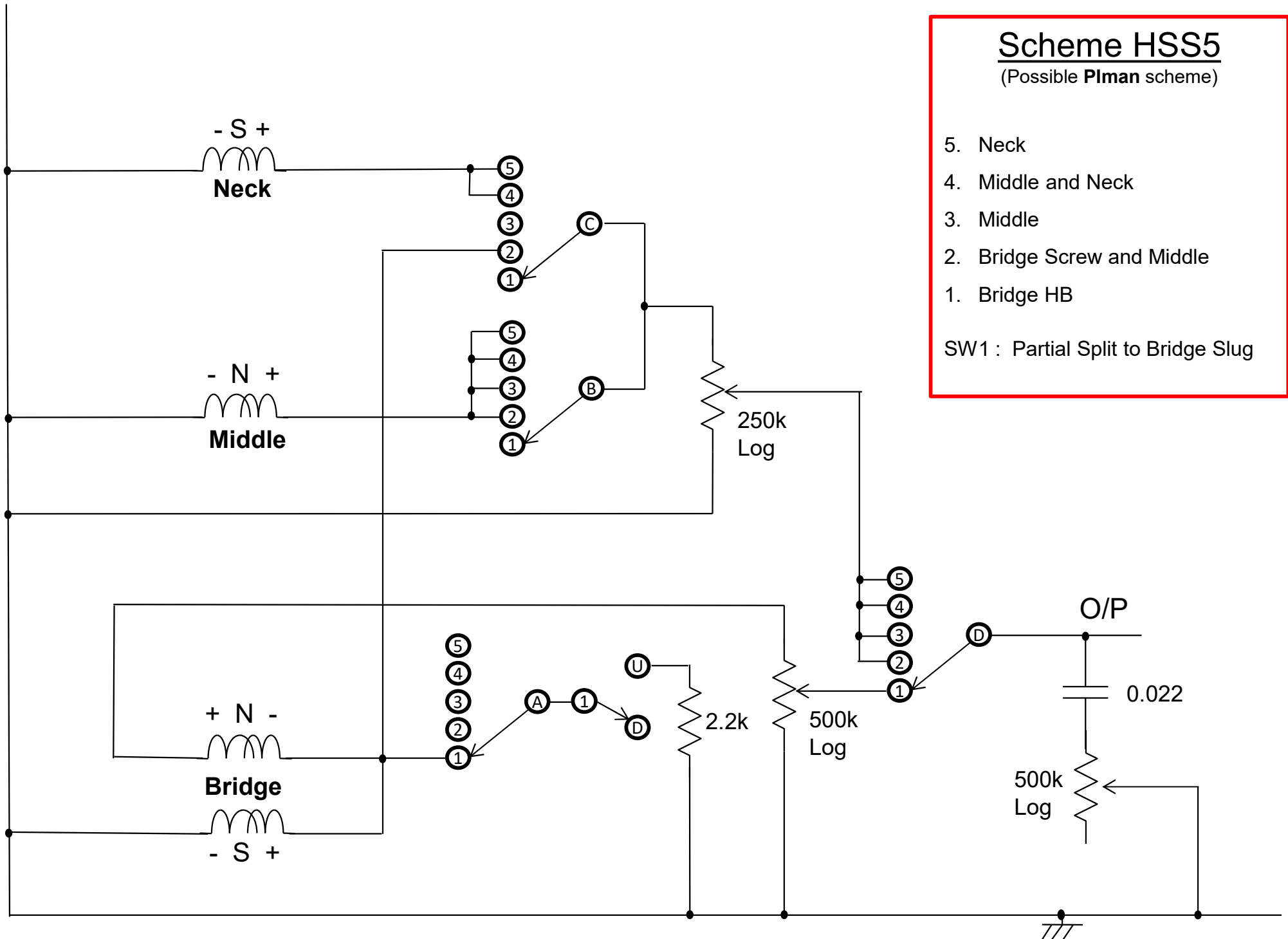
5. Neck
4. Middle and Neck
3. Middle
2. Partial Split Bridge
1. Bridge HB

# Scheme HSS5

(Possible P1man scheme)

- 5. Neck
- 4. Middle and Neck
- 3. Middle
- 2. Bridge Screw and Middle
- 1. Bridge HB

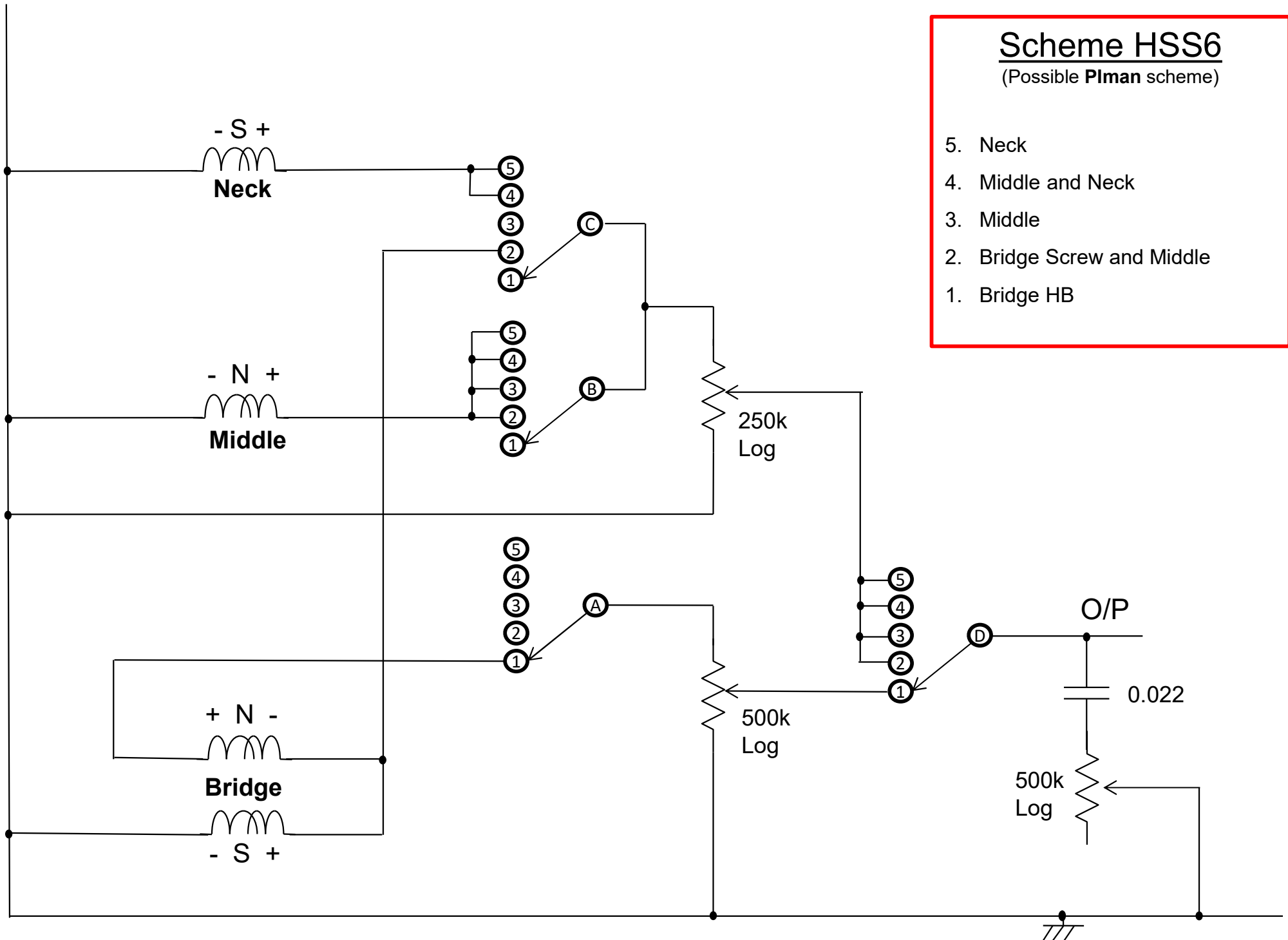
SW1 : Partial Split to Bridge Slug



## Scheme HSS6

(Possible P1man scheme)

5. Neck
4. Middle and Neck
3. Middle
2. Bridge Screw and Middle
1. Bridge HB



# Scheme HSS7 (ROTHSTEIN)

- 5. Neck
- 4. Middle and Neck
- 3. Middle
- 2. Bridge Screw and Middle
- 1. Bridge HB

