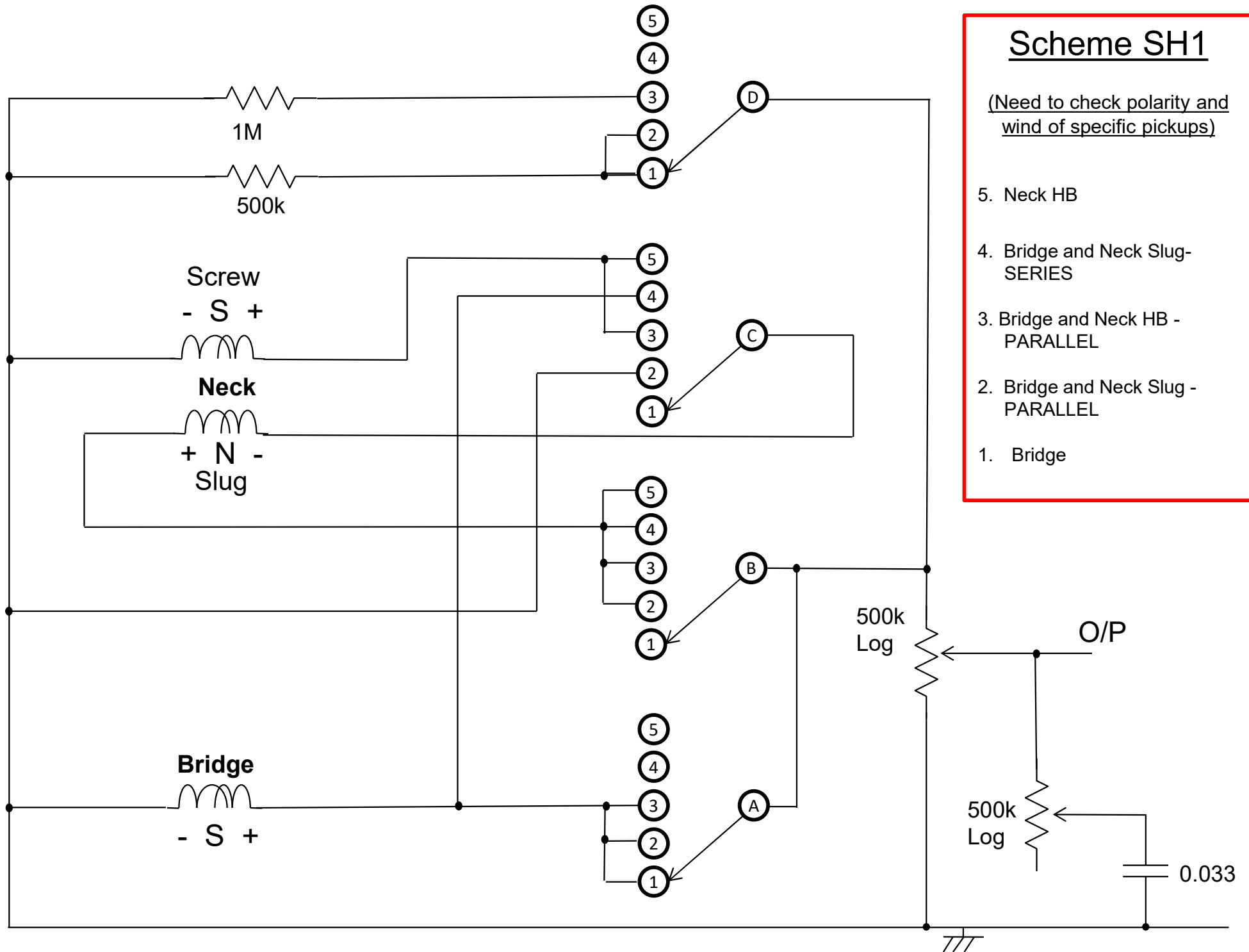


Scheme SH1

(Need to check polarity and wind of specific pickups)

- 5. Neck HB
- 4. Bridge and Neck Slug - SERIES
- 3. Bridge and Neck HB - PARALLEL
- 2. Bridge and Neck Slug - PARALLEL
- 1. Bridge



Scheme SH2

(Need to check polarity and
wind of specific pickups)

4. Neck HB
3. Bridge and Neck HB -
PARALLEL
2. Bridge and Neck Slug -
PARALLEL
1. Bridge

